

WINCO®

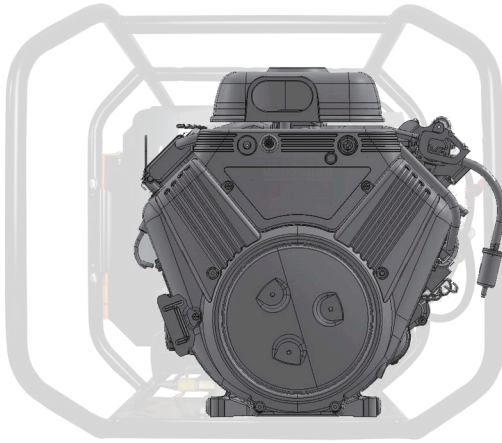
WL22000VE

19,000 RUNNING WATTS

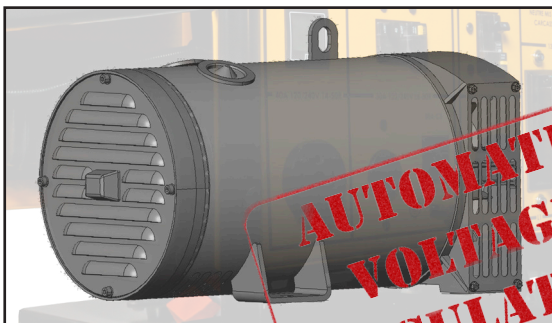
Rugged Steel Design



B & S Commercial Vanguard Engine



Brushless Industrial Genend



**AUTOMATIC
VOLTAGE
REGULATION**

YOURGEN

LED Display

Hours, RPMs, voltage, and frequency readings automatically cycle on the display.



Load Bars

Easily verify the load balance on each leg of the generator end.

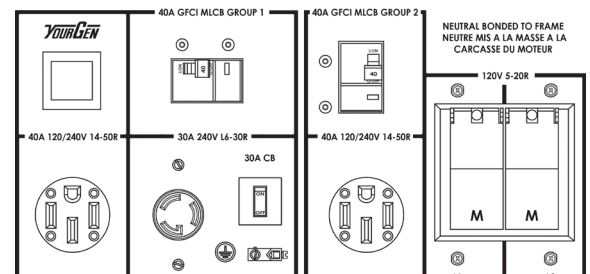


Warnings

The LED will flash if any parameter gets outside of normal range. A warning will also be displayed when it is time for an oil change.



Receptacle Panel
with GFCI protection



SPECIFICATIONS

WL22000VE

ENGINE

| | |
|-------------------------------------|---------------------|
| ENGINE BRAND | BRIGGS & STRATTON |
| ENGINE MODEL | VANGUARD |
| ENGINE STARTER | ELECTRIC |
| ENGINE SPEED | 3600 RPM |
| ENGINE CYLINDERS | V-TWIN |
| DISPLACEMENT/TYPE | 993 CC / OHV |
| FREQUENCY REGULATION ⁽¹⁾ | +/-1.5% |
| LOW OIL PROTECTION | STANDARD |
| RECOMMENDED OIL ⁽²⁾ | 10W-30 |
| OIL CAPACITY | 2.3 QT |
| FUEL TANK | 15 GAL |
| FUEL GAUGE | YES |
| FULL LOAD RUN TIME ⁽³⁾ | 4.5 HOURS |
| FUEL CONSUMPTION | GAL/HR |
| 100% | 3.28 |
| 75% | 2.57 |
| 50% | 1.88 |
| 25% | 1.43 |
| 0% | 0.95 |
| BATTERY SIZE ⁽⁴⁾ | BCI GROUP 26 500CCA |

NOTES: (1) Steady state frequency regulation. (2) The recommended oil is for normal applications. See operator's manual for the recommended oil for your needs. (3) Run time is estimated. (4) Battery not included.

OPTIONAL ACCESSORIES

| | |
|----------------------|----------------------|
| FOUR-WHEEL DOLLY KIT | WITH FLAT-FREE TIRES |
| BATTERY | BCI GROUP 26 500 CCA |
| MAINTENANCE KIT | 16200-011 |

ELECTRICAL

| | |
|--------------------------|---------------------------|
| STARTING WATTS | 22,000 |
| RUNNING WATTS | 19,000 |
| RUNNING AMPS @ 120 VAC | 158.3 |
| RUNNING AMPS @ 240 VAC | 79.2 |
| VOLTAGE REGULATION | AVR +/- 1.5% |
| MAIN CIRCUIT BREAKER | (2) 40 AMP, 240V (GFCI) |
| BONDED NEUTRAL | YES |
| 120 VOLT RECEPTACLES | (4) NEMA 5-20 20A (GFCI) |
| 120/240 VOLT RECEPTACLES | (2) 14-50R 50A (GFCI) |
| 240 VOLT RECEPTACLE | (1) NEMA L6-30 30A (GFCI) |
| YOURGEN METER | STANDARD |

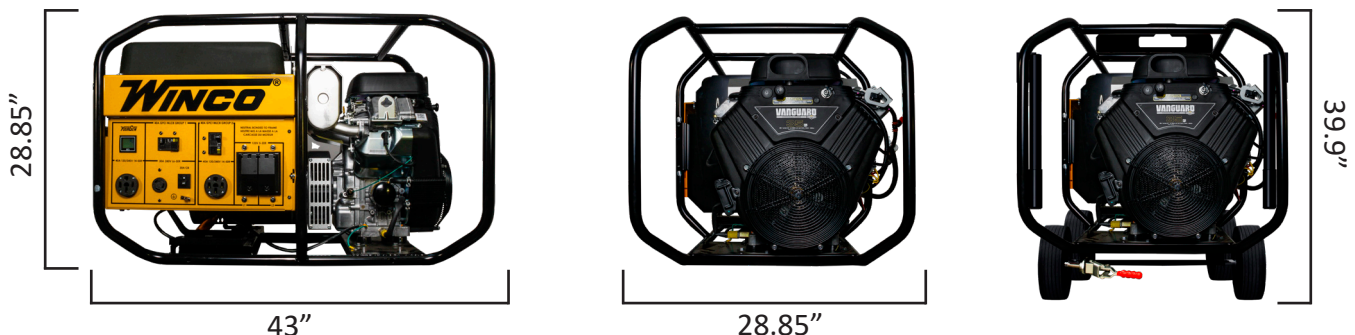
GENSET

| | |
|------------------------------|-------------------------|
| MOTOR STARTING (CODE G) | 6 HP |
| DBA @ 7 METERS | 79 |
| TOTAL HARMONIC DISTORTION | < 6% |
| LIFTING EYE ⁽¹⁾ | STANDARD |
| 4-WHEEL DOLLY KIT | OPTIONAL |
| INSULATION | CLASS H |
| PROTECTIVE ROLL FRAME | 1.25" DIA. 14 GA. STEEL |
| ASSEMBLED IN | USA |
| EPA APPROVED | YES |
| CARB APPROVED | NO |
| CSA APPROVED | NO |
| UNIT WARRANTY ⁽²⁾ | 3 YEARS COMMERCIAL |

NOTES: (1) Shipping eye shipped loose. (2) For more generator warranty, see operator's manual.

SHIPPING

| | |
|---------------------------------|-------------------|
| SHIPPING DIMENSIONS (L x W x H) | 43.5" x 31" x 37" |
| SHIP WEIGHT | 504 LBS |
| FREIGHT CLASS | 70 |



Specifications are subject to change without notice.